



ELITECH LINE ELS60E

TYPE	Pass-through dishwasher
LINE	ELITECH LINE
BASKET	500X500
SIZE	620x770x1435/1900h

The dishwashers of the **ELITECH** line ensure maximum performance thanks to the standard **Acquatech System** which, through an atmospheric boiler and rinse pump, maintains **constant temperature and pressure** and optimum water consumption. Elitech ensures a **sanitising rinse** cycle and proves to be the perfect choice for canteens, nursing homes, pastry shops, bakers and butchers where compliance with HACCP rules is essential. For anyone seeking perfectly sparkling glasses, it is possible to connect a **Reverse Osmosis System** which purifies water and reduces detergent and rinse-aid consumption, ensuring **excellent results and perfect glasses without the need for hand drying**.

The innovative **UNIKO tempered glass touch screen display** makes **any operation simple and intuitive**, from the choice of the most suitable wash cycle to its progress control, as well as constantly monitor the status of the dishwasher with ease. The large variety of wash cycles makes the dishwasher customisable according to your needs. Constant self-diagnosis allows you to minimise machine downtime, promptly warning the technician through the **Wi-Fi IKLOUD control** system that offers the possibility of remotely changing the dishwasher parameters and resolving the situation in real-time.

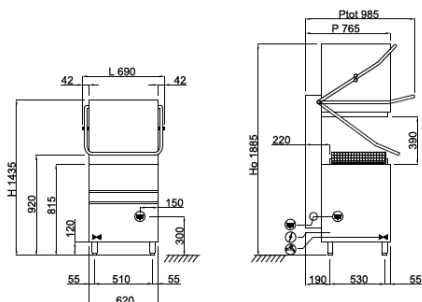
The **ELS60E** hood-type dishwasher is the right solution for establishments that have to wash different types of dishes, proving capable of washing glasses, dishes, medium-sized items up to 500x500x390(h)mm and GN 1/1 gastronorm trays in just a 620 mm width, ensuring a maximum productivity of 60 baskets/hour (1080 dishes/hour). The dishwasher is also equipped with an automatic water softener that breaks down the formation of limestone with extreme efficiency. In fact, the water softener is completely autonomous and automatically controls its regeneration intervals according to the hardness of the inlet water; all you have to do is fill the salt tank whenever the "no salt" message appears on the display. The resins are regenerated during wash cycles, so no machine downtime is required. The hood-type models are equipped with an easily removable basket support for easy cleaning and a **rounded moulded tank with integral filters** for perfect draining and absolute hygiene. The **"PUSH TO START"** cycle start system ensures less waste, preventing the start of empty washes.


The electronic control allows you to manage various parameters to give you an absolute customisation level and the continuous **self-diagnosis** allows you to **minimise machine downtime**, suggesting some operations that need to be verified. The **self-cleaning cycle** at the end of the day cleans the wash tank and empties the hot water from the boiler, preventing limestone from building up inside. The standard **double peristaltic electric rinse-aid and detergent dispenser** ensures the best result from each wash cycle with great savings thanks to the precise dosage managed by the electronic card; whereas, the **moulded washing and rinsing arms** ensure great reliability and durability. The **Thermo-stop** function checks that washing and rinsing begin only when the desired temperature is reached. The bodywork is made entirely of **AISI 304** steel and has been designed with all of the components in the front for **easy technical assistance**. Sturdy and reliable dishwashers to best deal with every moment of your day.


DISHWASHERS FEATURES	ELITECH LINE ELS60E
Dimensions - (mm) L - P - H	620x770x1435/1900h
Height glass max	390mm
Ø height plate max	415mm
Height pot max	390mm
LT bread basket	40 (H=390mm)
Trays	GN1/1
Tank heating element - Tank capacity	4,5kW - 37lt
Boiler heating element - Boiler capacity	5,4kW - 7,3lt
Washing pump	1,34kW / 1,8 Hp
Total power input / Current	6,74kW / 16A
Standard input voltage	400V3N+T / 230V 50Hz
Recommended inlet water temperature	+55°C
Water hardness	7÷10 °f
Water consumption per cycle (inlet suggested pressure 2 BAR)	2,0lt GUARANTEED
Adjustable detergent and rinse-aid dispenser	ELECTRIC
Acquatech system rinse	si
ACCESSORI	
Basket for glasses dim.500x500x100mm	1
Basket for 18 dishes dim.500x500x100mm	2
8 division cutlery insert	1
Integral tank filter	2
Salt funnel	1
modulo_di_connesione_wi-fi_ikloud	si
OPTION	
UNIKO touch display with IKLOUD Wi-Fi control	-
Input voltage 230V/3+T	●
Booster pump kit 0,5Hp	-
Drain pump kit 40W	-
Boiler heating element 9kW	●
Stainless steel tank filter kit for rack dishwasher 500x500	-
Reverse osmosis system	●
Basket for trays with 4 compartments dim.500x500x200mm	●
Inclined basket for wine glasses dim.500x500x170mm	●
Kit 4 Stainless steel feet 50-70mm	-
Remote control with LCD display	-
Energy Pro Green	●


● Optional Installabile, - Optional not installabile

ELS60E



 400V3N+T 7,04kW
L=1950 (5 POLES)

 G 3/4" M
L=1200

 Ø25x30
L=1550